



# DOSATRON®

WATER POWERED DOSING TECHNOLOGY

3  
m<sup>3</sup>/h

## D 3 RANGE

**NEW  
2008**



### SPECIFICATIONS

- Injection Range: **0.2 – 10 %\***  
[1 : 500 - 1 : 10]
- Water flow range\*\* : **10 l/h - 3 m<sup>3</sup>/h**  
[0.16 l/mn - 50 l/mn]  
[1/3 US Pint/min - 14 US GPM]
- Operating pressure: **0.3 - 6 bar**  
[4.3 PSI - 85 PSI]
- Concentrated additive injection: **0.02 - 300 l/h**  
[0.011 Fl. oz/min - 1.4 US GPM]

\*0.05 - 20 % in development - see models on the back  
\*\*For other fluids than water, please contact us

### A unique technology associating all dosing functions

#### Dosing Technique:

Non-electric proportional

#### Energy Source:

Water flow and pressure

#### Integrated functions:

- **Metering:** volumetric hydraulic motor
- **Injecting:** continuous proportional injection of liquid or soluble concentrate
- **Regulating:** proportionality servo-controlled by the water flow
- **Mixing:** integrated mixing

#### Package contents:

- 1 Dosatron, 1 wall bracket,
- 1 Suction tube 175 cm [69"],
- 1 Owner's manual



**D3RES - 3 m<sup>3</sup>/h ± 0.5 - 5%**

Dosing range: 0.2 - 10%  
 Dosing accuracy: ±0.5%  
 Water flow range: 10 l/h - 3 m<sup>3</sup>/h  
 Operating pressure: 0.3 to 6 bar  
 Concentrated additive injection: 0.02 - 300 l/h  
 Temperature: 0 to 40°C

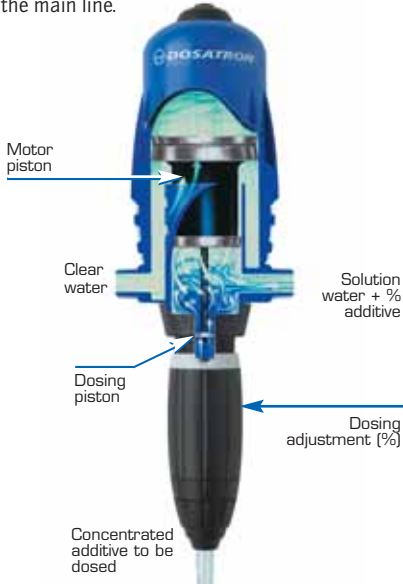
LE TRASCENDANT...  
 LE TRASCENDANT...  
 LE TRASCENDANT...

CE

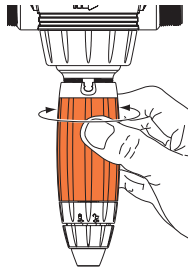
# D 3 RANGE

## Operating principle

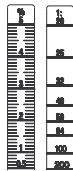
Installed directly in the water supply line, the Dosatron operates by using the flow of water as the power source. The water activates the Dosatron, which takes up the required percentage of concentrate directly from the container and injects it into the water. Inside the Dosatron, the concentrate is mixed with the water, and the water pressure forces the solution downstream. The dose of concentrate will be directly proportional to the volume of water entering the Dosatron, regardless of variations in flow or pressure, which may occur in the main line.



## Proportional injection externally adjustable



The injection rate is set by lining up the eyelet with the desired ratio on the scale. The amount of injected concentrate is proportional to the amount of water coming into the Dosatron: i.e. Adjustment at 1% = 1 : 100 = 1 Volume of concentrate + 100 Volumes of water.



## The 3 m<sup>3</sup>/h range

REF.	DOSAGE	PRESSURE
<b>EXTERNAL ADJUSTMENT</b>		
D 3 RE 2000*	0.05 - 0.3 %	0.3 - 6 bar
D 3 RE 2	0.2 - 2 %	0.3 - 6 bar
D 3 RE 5	0.5 - 5 %	0.3 - 6 bar
D 3 RE 10	1 - 10 %	0.5 - 6 bar
D 3 RE 20**	5 - 20 %	0.5 - 4 bar
*in development		
**in development - 1.5m <sup>3</sup> /h limit		

Other product lines available to treat water flows up to 0.7 m<sup>3</sup>/h, 1.5 m<sup>3</sup>/h, 4.5 m<sup>3</sup>/h, 8 m<sup>3</sup>/h, 20 m<sup>3</sup>/h, 30 m<sup>3</sup>/h, 60 m<sup>3</sup>/h... For special models, accessories and particular systems: please consult us.

## Specifications

General	
- Maximum operating water temperature	40° C [104° F]
- Minimum operating water temperature	5° C [41° F]
- Dosing rate	i.e. Adjustment at 1 % = 1 : 100 = 1 V concentrate + 100 V water
- Average dosing accuracy	+/- 10 % (Charts on demand)
- Repeatability	+/- 3 % (API standard)
- Pressure loss	0.2 - 2.3 Bar [3 - 33 PSI] depending on models and operating conditions (Charts on demand)
Other integrated functions	
- Internal motor filter	no
- Inlet/Outlet	3/4" M : BSP- NPT Ø 20 x 27 mm
- Built-in by-pass	option
- Built-in airbleeder	yes
- Built-in anti-siphon device	no
Motor	
- Motor	differential hydraulic piston
- Motor capacity	0.53 L [0.140 US gallons]
- Mixing chamber	(1 cycle, for every 2 clics) integrated
Dosage	
- Injection	internal at the outlet
- Dosing plunger	simple effect up to 10%, double effect > 10%
- Injection check valve	spring-loaded seal
Suction	
- Self-priming	yes
- Maximum viscosity of concentrate	800 cPs to 20°C [68°F] - from 400 cPs, V kit recommended for dosage > 2%
- Maximum vertical or horizontal suction of the concentrate	4 m [13ft]
- Strainer	yes - foot strainer with weight

### Markets

Environment - Hygiene - Water treatment - Vehicle wash - Metal processing - Food processing - Graphic Arts - Horticulture...

### Principal applications

Disinfecting - Cleaning - Fertigation - Phytosanitation - Lubrication - PH/TH Correction - Sanitation - Flocculation - Vehicle wash...

### Installation

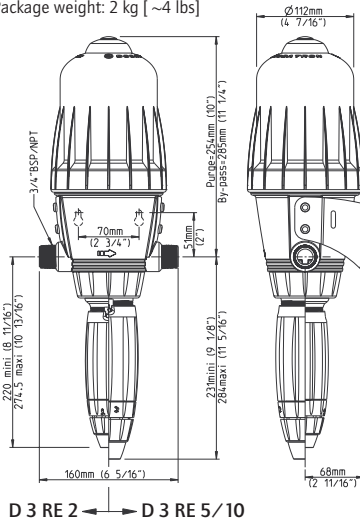
**Regulations:** Refer to local water regulations, prior to installing your Dosatron.

#### To optimize your Dosatron, we advise to:

- Install a filter (300 mesh [60 microns]) upstream, depending on your water quality.
  - Change the dosing seals at least once a year.
  - Rinse as often as possible with clear water.
  - Turn off the water supply and allow the pressure to drop to zero before adjusting the injection rate.
  - Install necessary protections for excess flow, excess pressure and water hammer (anti-hammer flow/pressure device).
  - Install your Dosatron on a total by-pass line.
- For all other installation advice, please consult us.

### Size

- Package size: 55.4 x 16.8 x 14.4 cm [21 7/8" x 6 5/8" x 5 3/4"]
- Package weight: 2 kg [~4 lbs]



## Standard material

Housing: special polypropylene, HT  
Motor Piston: polypropylene, polyamide, VF or HT, peek, PVDF

Injection area: polypropylene, polyethylene, hastelloy (check valve spring)

Injection hose: PVC

## Available options

(■): Option ●: Standard ★: not available or not necessary for this model)

### Optimized compatibility

- AF: Recommended seals for alkaline concentrate
- VF: Recommended seals for acid oil, odour- or pest control concentrates
- PVDF: Housing
- V: Kit for viscous concentrate
- Injection hose: Special material hose and foot strainer available



PVDF housing



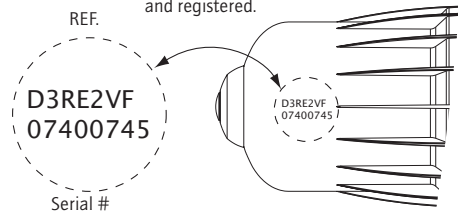
Accurate adjustment at 1.5 %

### Optimized installation

- BP: integrated by-pass
- ★ Other fittings
- Strap
- Other: please contact us

These options allow adapting your Dosatron to your needs. Contact our technical service to help determine what option you may need.

Each Dosatron unit is factory tested and registered.



CUSTOMER SERVICE - SERVICE CLIENTÈLE

## DOSATRON INTERNATIONAL

Rue Pascal - B.P. 6 - 33370 TRESSSES (BORDEAUX) - FRANCE

Tel. 33 (0)5 57 97 11 11 - Fax. 33 (0)5 57 97 11 29 / 33 (0)5 57 97 10 85

e.mail : info@dosatron.com - http://www.dosatron.com

S.A. DOSATRON INTERNATIONAL au capital de 3 050 000 EUROS - SIRET BORDEAUX 418 826 822 00011 - APE 291 B - N° TVA/VAT : FR96418826822

This document does not form a contractual engagement on the part of Dosatron International and is for information only. Dosatron International reserves the right to alter product specification or appearance without prior notice. © DOSATRON INTERNATIONAL S.A. 2007